



Converts the PWM output signal into a sinusoidal wave with residual <5%

DV/DT reduction

Motor loss reduction

Increases motor life

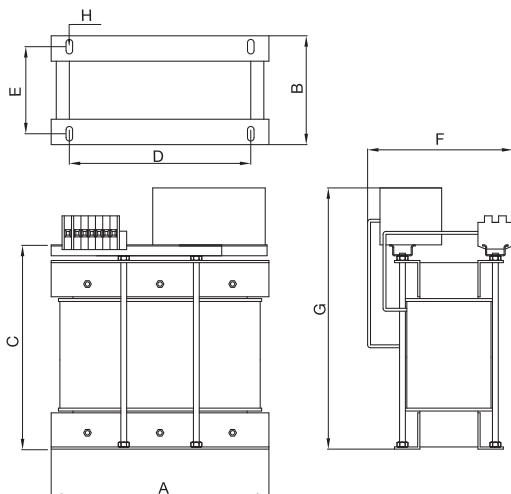
Compact style

ELECTRIC CHARACTERISTICS

Nominal voltage	480 VAC
Nominal current at ambient temperature of 40°C	See table
Frequency	< 70 Hz

FIN905SF	Nominal Current at 40° (A)	L (mH)	CX (µF)	Min Switch Frequency (kHz)	Power Loss (W)	A	B	C	D	E	F	G	H
.005.M	5	13	2.2 (Y)	4	67	150	115	145	125	70	150	250	Ø 7
.008.M	8	6.9	4.7 (Y)	4	79	150	115	145	125	70	150	250	Ø 7
.010.M	10	5.2	6.8 (Y)	4	88	150	115	145	125	70	150	250	Ø 7
.016.M	16	3.1	10 (Y)	4	116	180	190	180	150	60	225	280	Ø 7
.025.M	25	2.4	10 (Y)	4	151	180	110	180	150	80	145	280	Ø 7
.036.M	36	1.6	10 (Y)	4	175	240	190	240	200	95	225	340	Ø 10
.048.M	48	1.1	15 (Y)	4	250	240	190	240	200	95	225	340	Ø 10
.060.M	60	0.85	30 (Y)	3	282	240	190	240	200	95	225	340	Ø 10
.075.M	75	0.75	30 (Y)	3	340	300	170	310	260	110	205	410	Ø 10
.115.M	115	0.5	20 (Δ)	3	575	300	190	310	260	130	225	-	Ø 10
.180.M	180	0.3	33 (Δ)	3	695	480	320	420	360	170	355	-	Ø 12
.260.M	260	0.2	47 (Δ)	3	895	520	320	340	380	200	355	-	Ø 14
.410.B	410	0.13	66 (Δ)	3	1170	520	320	340	380	200	355	-	Ø 14
.480.B	480	0.11	94 (Δ)	3	1390	520	320	340	380	200	355	-	Ø 14
.660.B	660	0.08	140 (Δ)	2	2050	520	360	460	380	240	395	-	Ø 14
.750.B	750	0.07	165 (Δ)	2	2900	530	400	520	380	280	435	-	Ø 14
.880.B	880	0.05	188 (Δ)	2	3450	650	400	630	380	270	475	-	Ø 14

CASE



ELECTRIC DIAGRAM

